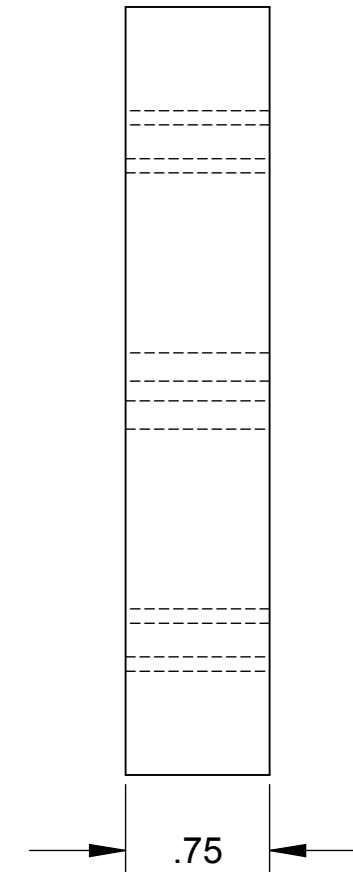
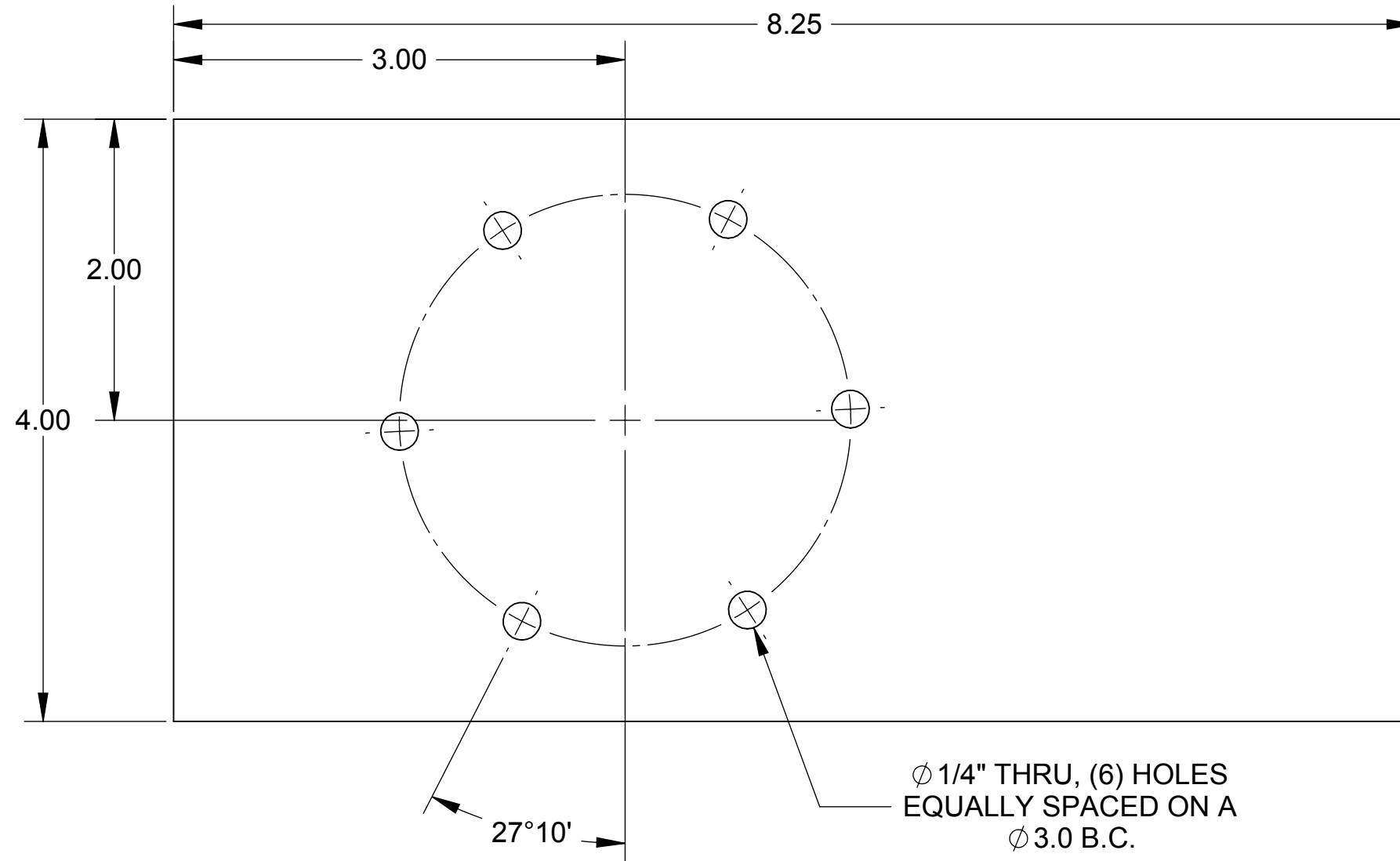


TOOL LIST
 1/8 CENTER DRILL
 1/4 DRILL



Ø 1/4" THRU, (6) HOLES
 EQUALLY SPACED ON A
 Ø 3.0 B.C.

27°10'

		.75x4.0x6.0 6061 ALUMINUM		
QTY	PART NUMBER	ITEM DESCRIPTION	ITEM	

REV	E.C.N. NO.	REVISION DESCRIPTION	REV BY	DATE	CHK BY	DATE	APPD BY	DATE
A	.	ORIGINAL RELEASE						

SURFACE TREATMENT		NONE		EXCEPT AS NOTED: ALL CORNERS MUST BE AS FOLLOWS		EXCEPT AS NOTED: ALL DIMENSIONS IN METRIC TOLERANCE		HURCO COMPANIES, INC. INDIANAPOLIS, IN 46268 U.S.A.	
HEAT TREATMENT		NONE		INSIDE: 1.3 X 45° OR 1.3 R MAX. OUTSIDE: 0.8 X 45° OR 1.3 R		DECIMAL .0 ±0.8 .00 ±0.4 .000 ±0.13 .0000 ±0.013 ANGULAR ±0°30'			
FIRST USED ON		APPS		EXCEPT AS NOTED: WELDING TOLERANCE MUST BE AS FOLLOWS		THIRD ANGLE PROJECTION		DESCRIPTION PLATE, MOUNTING	
								DRAWN BMK	
								DATE 12/16/11	
								CHECKED .	
								DATE .	
								APPROVED .	
								DATE .	
								SCALE 1:1	
								SIZE B	
								DRAWING INTRO-9	
								SHT 1	
								OF 1	
								REV. A	