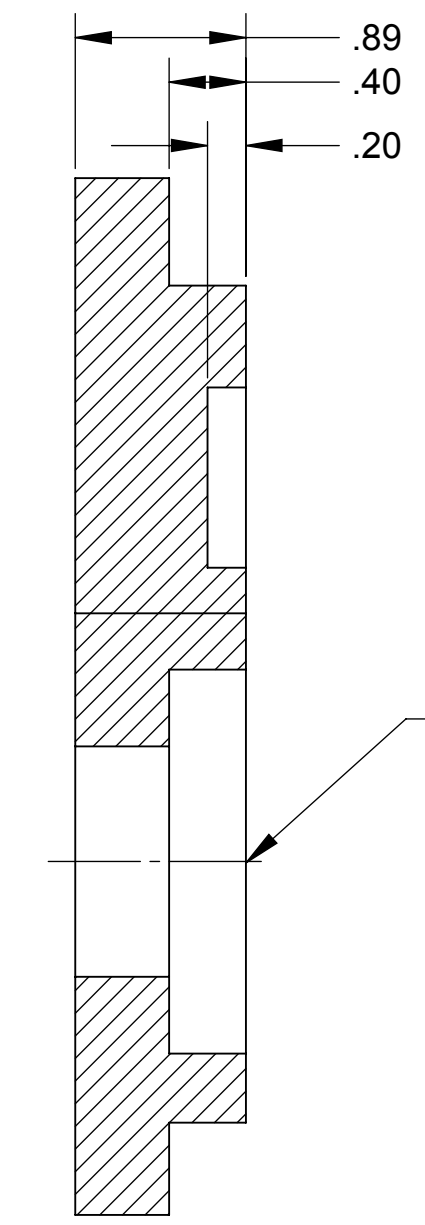
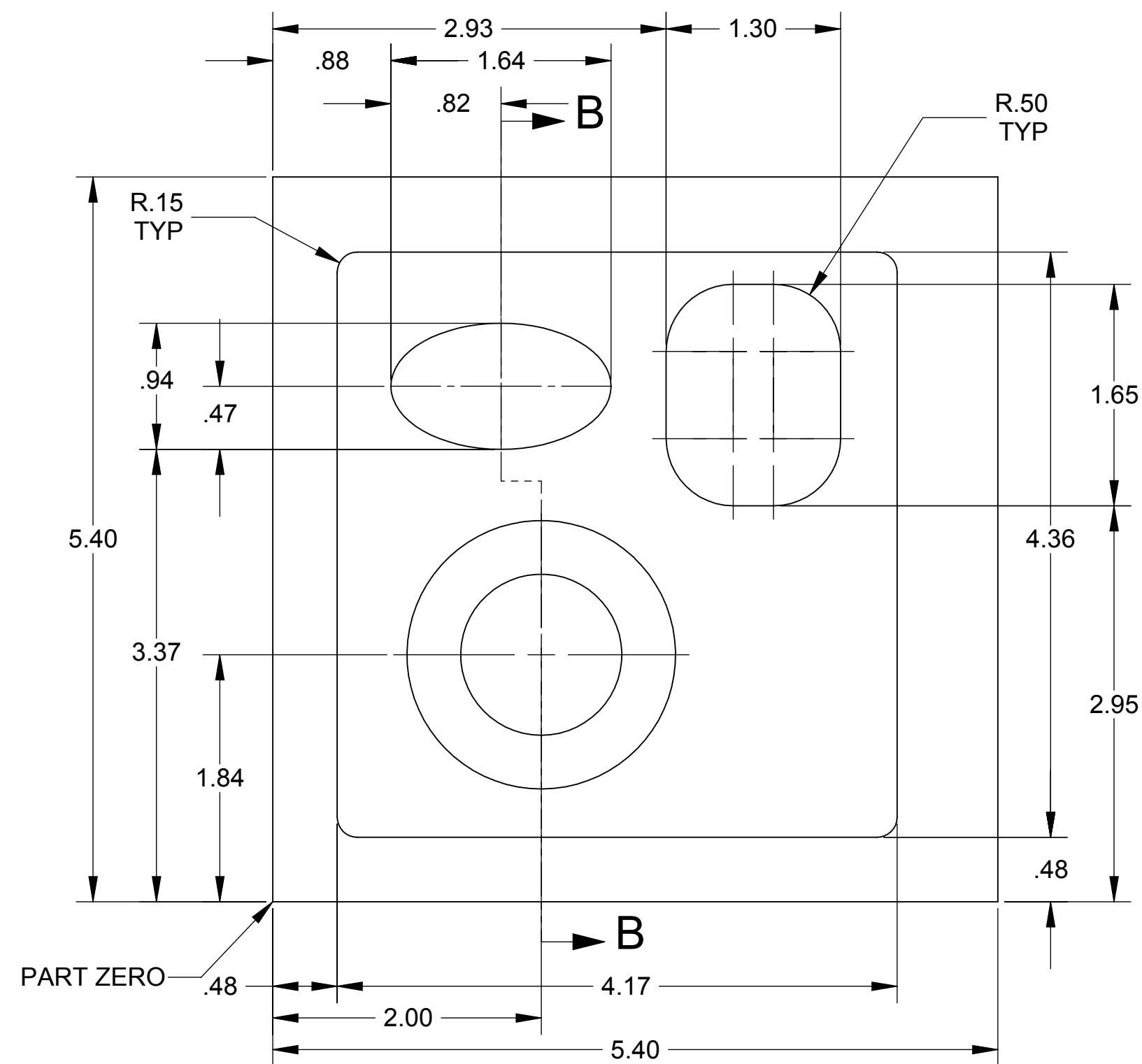


**PROPRIETARY INFORMATION**  
 INFORMATION CONTAINED HEREIN IS THE PROPERTY OF HURCO COMPANIES, INC. NO REPRODUCTION OR DISCLOSURE OF THIS INFORMATION SHALL BE MADE BY THE RECIPIENT TO ANY OTHER PERSON OR ORGANIZATION WITHOUT THE PRIOR WRITTEN CONSENT OF HURCO COMPANIES, INC.



**TOOL LIST**  
 3/4 CENTER CUT END MILL  
 1/2 CENTER CUT END MILL

SECTION B-B

		.89x5.4x5.4 5056 ALUMINUM		
QTY	PART NUMBER	ITEM DESCRIPTION	ITEM	

REV	E.C.N. NO.	REVISION DESCRIPTION	REV BY	DATE	CHK BY	DATE	APPD BY	DATE
A	.	ORIGINAL RELEASE						

SURFACE TREATMENT	NONE	EXCEPT AS NOTED: ALL CORNERS MUST BE AS FOLLOWS INSIDE: 1.3 X 45° OR 1.3 R MAX. OUTSIDE: 0.8 X 45° OR 1.3 R	EXCEPT AS NOTED: ALL DIMENSIONS IN METRIC TOLERANCE DECIMAL .0 ±0.8 .00 ±0.4 .000 ±0.13 .0000 ±0.013 ANGULAR ±0°30'
HEAT TREATMENT	NONE		
FIRST USED ON	APPS	EXCEPT AS NOTED: WELDING TOLERANCE MUST BE AS FOLLOWS ±3	THIRD ANGLE PROJECTION

**HURCO®**  
 HURCO COMPANIES, INC. INDIANAPOLIS, IN 46268 U.S.A.

DESCRIPTION  
**INTRO-5**

DRAWN BMK	DATE 12/16/11	CHECKED	DATE	APPROVED	DATE
SCALE 1:1	SIZE B	DRAWING INTRO-5		SHT 1	REV. A
UNIT OF MEAS. PC				OF 1	