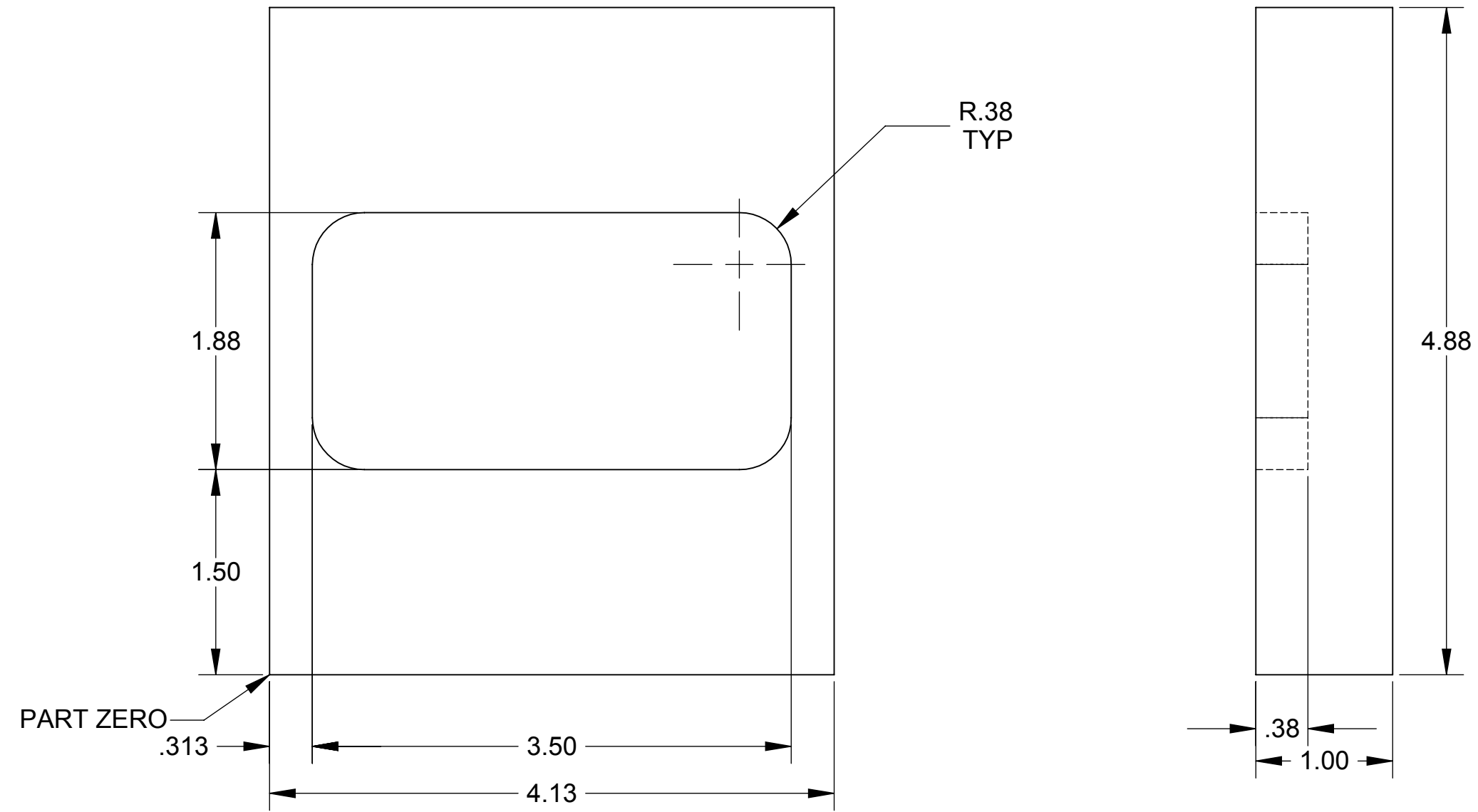



TOOL LIST

11/16 CENTER CUT END MILL
 3" 45° FACEMILL



.	.	1X4.125X4.875 CARBON STEEL	.
QTY	PART NUMBER	ITEM DESCRIPTION	ITEM

REV	E.C.N. NO.	REVISION DESCRIPTION	REV BY	DATE	CHK BY	DATE	APPD BY	DATE
A	.	ORIGINAL RELEASE						

SURFACE TREATMENT		EXCEPT AS NOTED: ALL CORNERS MUST BE AS FOLLOWS		EXCEPT AS NOTED: ALL DIMENSIONS IN METRIC TOLERANCE DECIMAL		 HURCO COMPANIES, INC. INDIANAPOLIS, IN 46268 U.S.A.			
NONE		INSIDE: 1.3 X 45° OR 1.3 R MAX. OUTSIDE: 0.8 X 45° OR 1.3 R		.0 ±0.8 .00 ±0.4 .000 ±0.13 .0000 ±0.013 ANGULAR ±0°30'					
HEAT TREATMENT		NONE		THIRD ANGLE PROJECTION		DESCRIPTION		DRAWN	
NONE		FIRST USED ON		EXCEPT AS NOTED: WELDING TOLERANCE MUST BE AS FOLLOWS ±3		INTRO-4		BMK	
APPS						SCALE		DATE	
						1:1		12/16/11	
						UNIT OF MEAS.		CHECKED	
						PC		DATE	
						B		APPROVED	
						INTRO-4		DATE	
						SHT		REV.	
						1		A	
						OF			
						1			