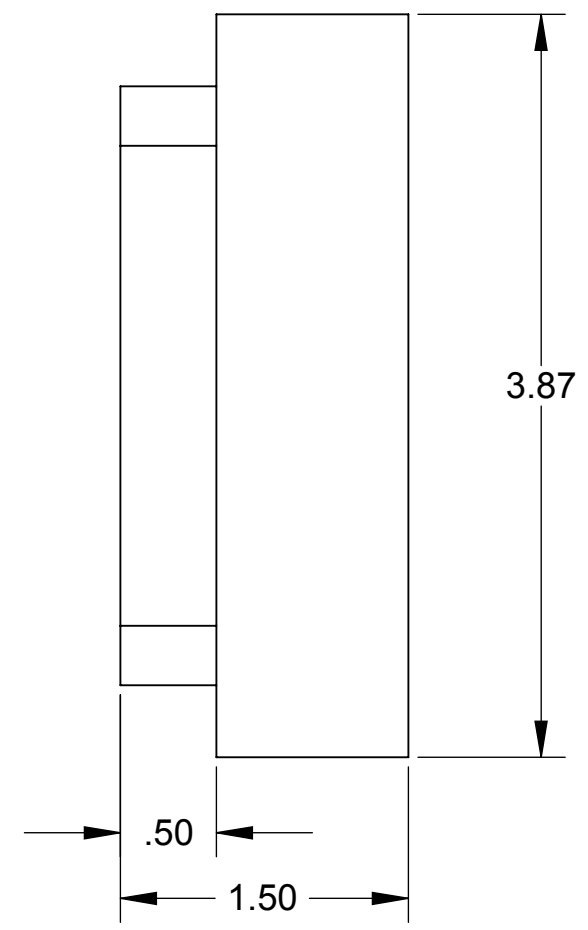
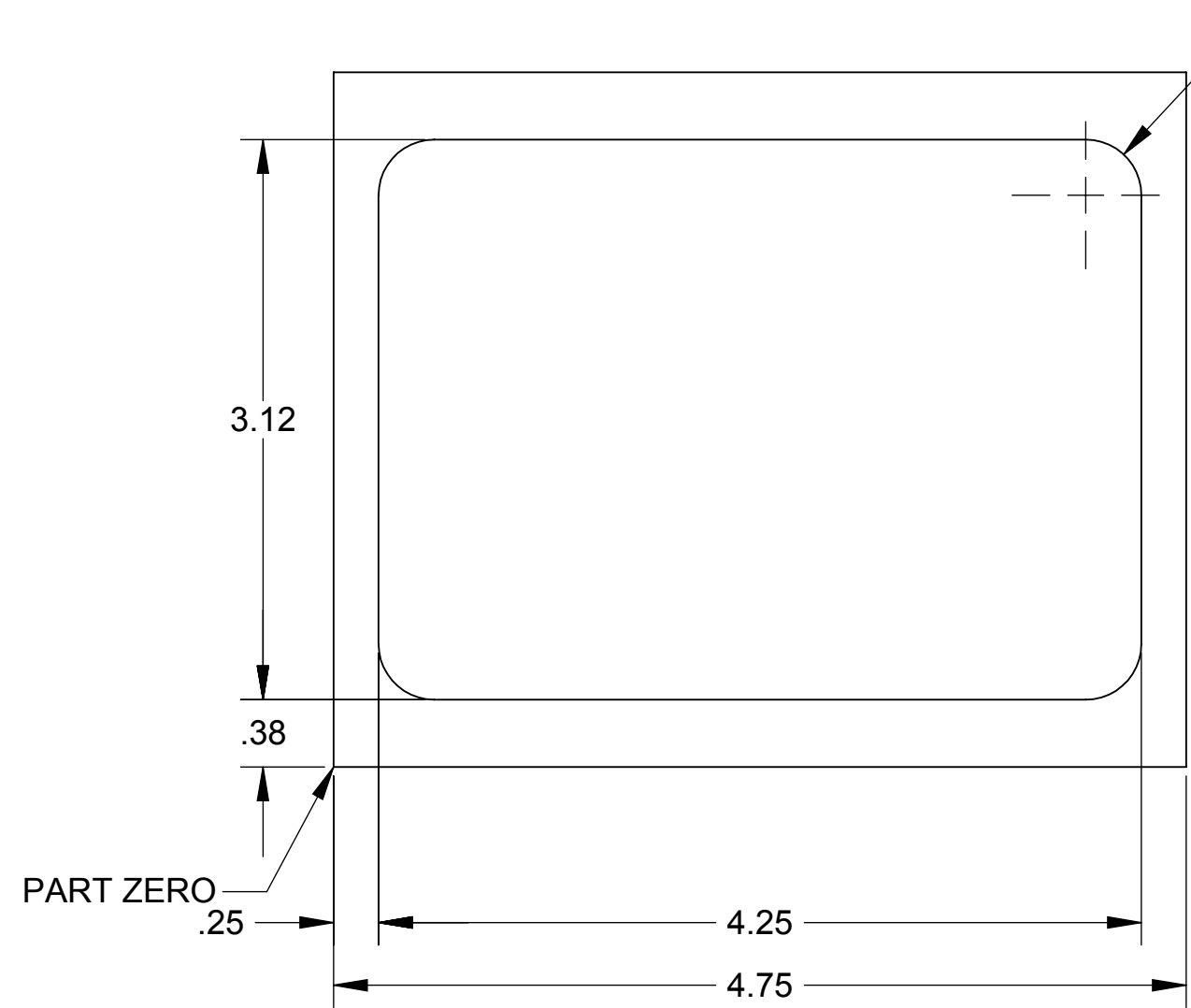


TOOL LIST
 9/16 END MILL



.	.	1.5X3.87X4.75 TITANIUM	.
QTY	PART NUMBER	ITEM DESCRIPTION	ITEM

REV	E.C.N. NO.	REVISION DESCRIPTION	REV BY	DATE	CHK BY	DATE	APPD BY	DATE
A	.	ORIGINAL RELEASE						

SURFACE TREATMENT		HEAT TREATMENT		FIRST USED ON		SCALE		SIZE		DRAWING		SHT		REV.	
NONE		NONE		APPS		1:1		B		INTRO-3		1		A	
EXCEPT AS NOTED: ALL CORNERS MUST BE AS FOLLOWS INSIDE: 1.3 X 45° OR 1.3 R MAX. OUTSIDE: 0.8 X 45° OR 1.3 R		EXCEPT AS NOTED: ALL DIMENSIONS IN METRIC TOLERANCE DECIMAL .0 ±0.8 .00 ±0.4 .000 ±0.13 .0000 ±0.013 ANGULAR ±0°30'		THIRD ANGLE PROJECTION		UNIT OF MEAS. PC		INTRO-3		INTRO-3		OF 1			
HURCO® HURCO COMPANIES, INC. INDIANAPOLIS, IN 46268 U.S.A.		DRAWN BMK		DATE 12/16/11		CHECKED		DATE		APPROVED		DATE			