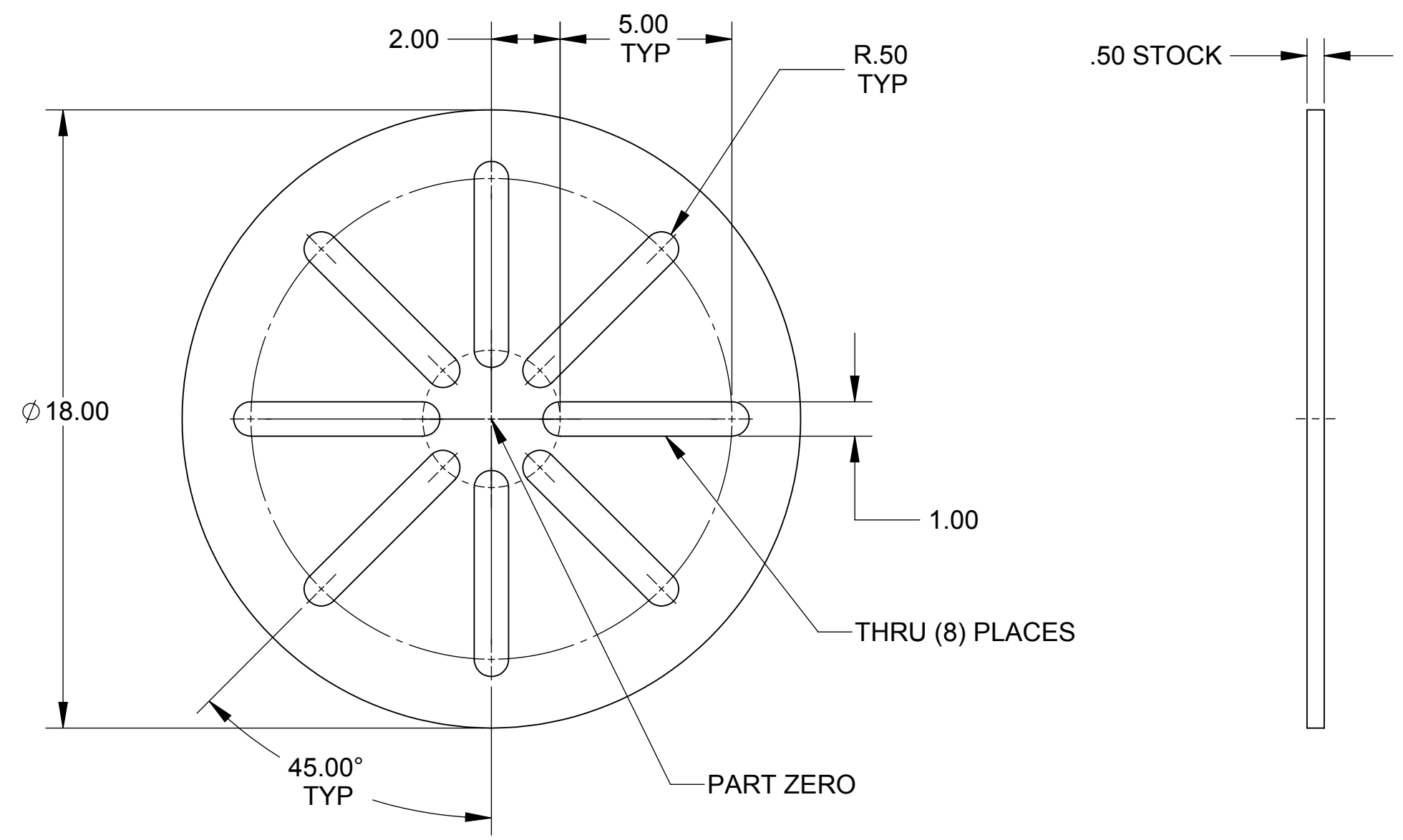


TOOL LIST
 3/4 CENTER CUT END MILL



		.5x18.0 DIA BAR 6061-T651 ALUMINUM	
QTY	PART NUMBER	ITEM DESCRIPTION	ITEM

REV	E.C.N. NO.	REVISION DESCRIPTION	REV BY	DATE	CHK BY	DATE	APPD BY	DATE
A	.	ORIGINAL RELEASE						

SURFACE TREATMENT	NONE	EXCEPT AS NOTED: ALL CORNERS MUST BE AS FOLLOWS INSIDE: 1.3 X 45° OR 1.3 R MAX. OUTSIDE: 0.8 X 45° OR 1.3 R	EXCEPT AS NOTED: ALL DIMENSIONS IN METRIC TOLERANCE DECIMAL .0 ±0.8 .00 ±0.4 .000 ±0.13 .0000 ±0.013 ANGULAR ±0°30'
HEAT TREATMENT	NONE		
FIRST USED ON	APPS	EXCEPT AS NOTED: WELDING TOLERANCE MUST BE AS FOLLOWS ±3	THIRD ANGLE PROJECTION

HURCO®
 HURCO COMPANIES, INC. INDIANAPOLIS, IN 46268 U.S.A.

DESCRIPTION
TABLE, INDEX

DRAWN BMK	DATE 12/16/11	CHECKED	DATE	APPROVED	DATE
SCALE 1:4	SIZE A3	DRAWING INTRO-13		SHT 1 OF 1	REV. A